

Bimetal Thermometers, every angle

Crimped-on ring case stainless steel, turnable and adjustable

LTBiGelChg
LTBiGelChgG

Standard Versions

Information on general and metrological features (e.g. temperature resistance) and temperature ranges / error limits / smallest subdivision can be found in model overview 8000.

Measuring Unit

Helical bimetallic element

Accuracy (EN 13 190)

Class 1

Case

With polished crimped-on ring, 1.4301 (304 stainless steel)

Case Protection Type (EN 60 529 / IEC 529)

IP 65

Case Filling

For model TBiGelChgG

temperature ranges - 20 °C up to +100 °C:

glycerine

temperature ranges - 40 °C and +100 °C and above up to 250 °C:

silicone oil

Nominal Case Sizes

63, 80, 100, 125, 160 (mm) (2½", 3", 4", 5", 6")

Case Configuration

Connection temperature

sensor (stem): adjustable angle

Stem position: centre back position,
compared to the case adjustable by 135°,
turnable by 360°

Mounting device: without

Temperature Ranges (EN 13 190)

Spans from 60 K to 600 K

Temperature Sensor (Stem)

1.4571 (316 stainless steel),

max. static operating pressure: 25 bar

Stem models: B1, B3, B4, B4.1, B5 or B6

Stem- Ø dF: 6 or 8 mm

Stem length L: Lmin resp. L1min up to max. 400 mm

Please regard the minimum stem length depending on the active length (La) and stem model, see page 3.

Window

Instrument glass

Dial

Aluminum, black figures, white background

Pointer

Aluminum, black

Indication Adjustment (± 4%)

Externally by a screw



Ordering Information, Standard Temperature Ranges, Options

See page 4

Special Versions and further Options among others

- Other connection threads and materials upon request
- Other temperature ranges and/or special scales, e.g. dual scale °C/°F, coloured fields or areas, dial inscriptions, etc.
- Case parts 1.4404 (316 stainless steel) upon request
- Model TBiGelChg for ambient temperatures up to -60°C;
Model TBiGelChgG for ambient temperatures up to -40 °C,
up to -60°C NCS 100,125 and 160
- GOST-version for Russia, Ukraine, Kazakhstan

Thermowells

See DS 8.8110 ff



Sales and Export South, West, North

ARMATURENBAU GmbH

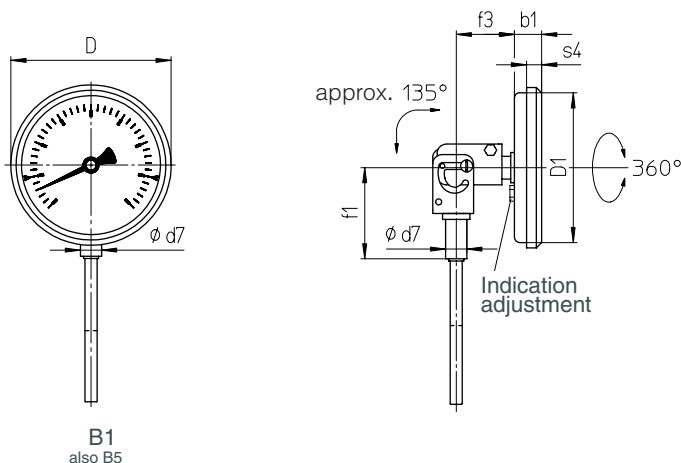
Manometerstraße 5 • D-46487 Wesel - Ginderich
Tel.: +49 (0)28 03/91 30-0 • Fax: +49 (0)28 03/10 35
armaturenbaum.com • mail@armaturenbaum.com

LEYRO INSTRUMENTS SL
Avda. Somosierra 24
28703 San Sebastián de los Reyes
Madrid
Tel: +34 912 835 502
info@leyro.net
www.leyroinstruments.com

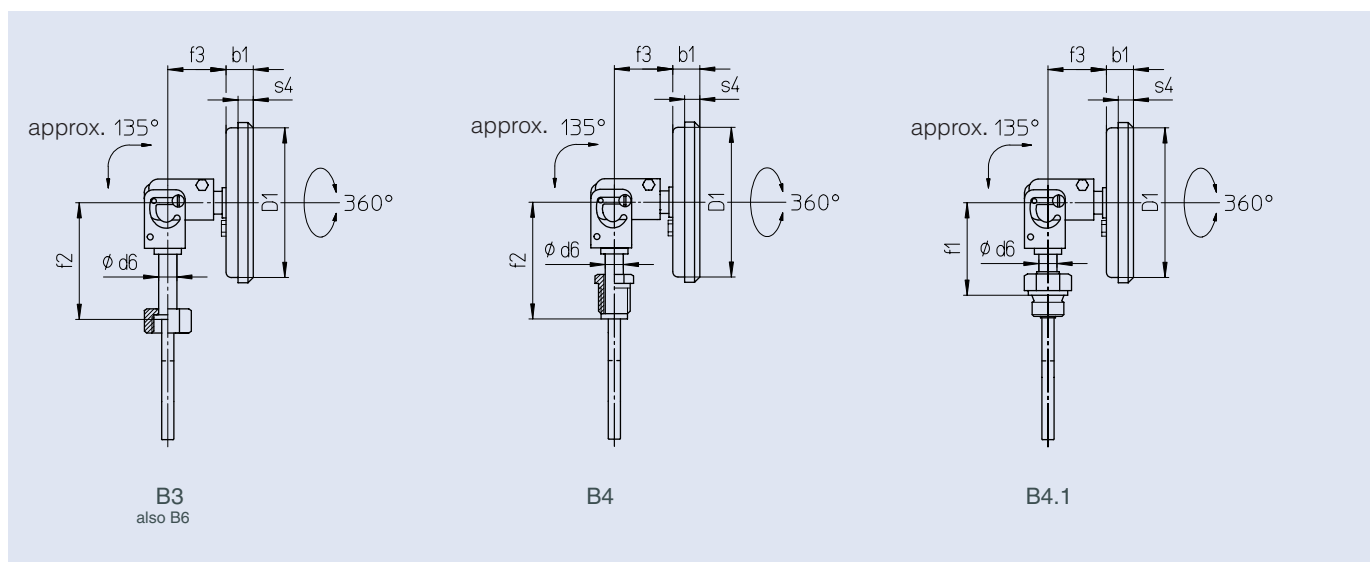
leyro

Centre Back Stem Position, adjustable angle

without additional code letter



Further Stem Models



Dimensional Data (mm / inches) and Weights (kg / lb)

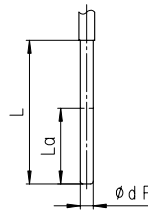
NCS	b1	D	D1	d6	d7	f1	f2	f3	s4	approx. weight ¹⁾	
										TBiGelChg	TBiGelChgG
63	17	67	62	12	14	63	80	40	8	0.28	0.31
2½"	.67	2.63	2.44	.47	.55	2.48	3.15	1.57	.31	0.62	0.68
80	18	86	79	12	14	63	80	40	8	0.32	0.37
3"	.71	3.39	3.11	.47	.55	2.48	3.15	1.57	.31	0.70	0.81
100	18	106	98	12	14	63	80	40	10	0.39	0.46
4"	.71	4.17	3.86	.47	.55	2.48	3.15	1.57	.4	0.86	1.01
125	20	136	125	12	14	63	80	40	11	0.49	0.65
5"	.79	5.35	4.92	.47	.55	2.48	3.15	1.57	.43	1.08	1.43
160	21	167	159	12	14	63	80	40	11	0.64	0.84
6"	.83	6.57	6.26	.47	.55	2.48	3.15	1.57	.43	1.41	1.85

¹⁾ The information is an example and relates on version with stem B1, Ø 8 mm (0.3"), length 100 mm (4").

Stem Models

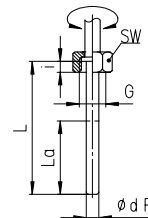
Process connection: without screw fitting, plain stem

Stem model: B1
Form according to DIN 13 190: Form 1
Stem material: 1.4571
Stem-Ø dF: 6 or 8
Order length: L
Accessories:
Data sheet (suitable thermowell models): 8.8140 (SK1)
 8.8141 (SK2)

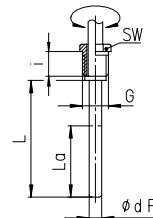


Process connection: Union nut Male thread, turnable Male thread, rigid

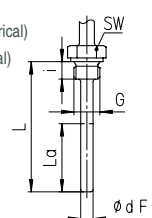
Stem model: B3
Form according to DIN 13 190: Form 5
Stem material: 1.4571
Stem-Ø dF: 6 or 8
Screw fitting material: 1.4571
Order length: L
Accessories:
Data sheet (suitable thermowell models): 8.8111 (SF4.1), 8.8113 (SF4.1F)
 8.8130 (SF8), 8.8131 (SF9)



Stem model: B4
Form according to DIN 13 190: Form 4
Stem material: 1.4571
Stem-Ø dF: 6 or 8
Screw fitting material: 1.4571
Order length: L
Accessories:
Data sheet (suitable thermowell models): 8.8110 (SF4), 8.8112 (SF4F)
 8.8120 (SF5), 8.8121(SF6+SF7)



Stem model: B4.1
Form according to DIN 13 190: Form 6 (thread cylindrical)
 Form 7 (thread conical)
Stem material: 1.4571
Stem-Ø dF: 6 or 8
Screw fitting material: 1.4571
Order length: L
Accessories:
Data sheet (suitable thermowell models): 8.8110 (SF4), 8.8112 (SF4F)
 8.8120 (SF5), 8.8121(SF6+SF7)



Thread (dimensions in mm):

G	SW	i
G 1/2	27	10
G 3/4	32	12
M 20 x 1.5	27	10
M 24 x 1.5	32	12
M 27 x 2	32	12

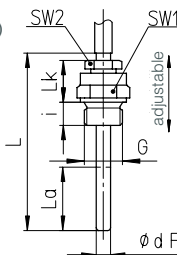
G	SW	i
G 1/2 B	22	20
G 3/4 B	27	23
M 18 x 1.5	22	14
M 20 x 1.5	22	20

Thermowell required!

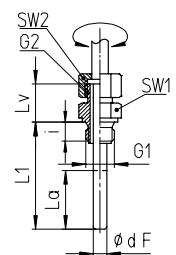
G	SW	i
G 1/2 B	27	14
G 3/4 B	32	16
1/2" NPT	27	19
3/4" NPT	27	19
M 18 x 1.5	24	14
M 20 x 1.5	27	14

Process connection: Male thread / compression fitting Male thread, turnable / double male adapter

Stem model: B5
 (= basic stem B1 with compression fitting)
Form according to DIN 13 190: Form 2 (thread cylindrical)
 Form 3 (thread conical)
Stem material: 1.4571
Fühler-Ø dF: 6 or 8
Screw fitting material: 1.4571
Order length: L
Accessories:
Data sheet (suitable thermowell models): 8.8110 (SF4), 8.8112 (SF4F)
 8.8120 (SF5), 8.8121(SF6+SF7)



Stem model: B6
 (stem B3 with double male adapter)
Form according to DIN 13 190: —
Stem material: 1.4571
Fühler-Ø dF: 6 or 8
Screw fitting material: 1.4571
Order length: L1
Accessories:
Data sheet (suitable thermowell models): 8.8110 (SF4), 8.8112 (SF4F)
 8.8120 (SF5), 8.8121(SF6+SF7)



Thread (dimensions in mm):

G	SW1	SW2	i	Lk
G 1/2 B	27	22	14	42
G 3/4 B	32	22	16	42
1/2" NPT	27	22	19	42
3/4" NPT	27	22	19	42
M 20 x 1.5	27	22	14	42

G1	G2	SW1	SW2	i	Lv
G 1/2 B	G 1/2 B	27	27	14	28
G 3/4 B	G 1/2 B	32	27	16	28
1/2" NPT	G 1/2 B	27	27	19	28
3/4" NPT	G 1/2 B	27	27	19	28
M 20 x 1.5	M 20 x 1.5	27	27	14	28
M 24 x 1.5	M 20 x 1.5	32	27	14	28
M 27 x 2	M 20 x 1.5	32	27	16	28

Minimum Stem Length, Active Length and maximum realisable Stem Length

Stem model:	Length:	Thread:	Stem-Ø dF:					
			6			8		
			Span (temperature difference) ΔT ¹⁾					
			≥ 100 K	= 80 K	= 60 K	≥ 80 K	= 60 K	
all models	La	all standard threads	40	60	70	40	60	The minimum length Lmin / L1min of the stem is the smallest possible stem length depending on the active length La (sensitive portion) and the stem model.
B1 B4	Lmin	all standard threads	40	60	70	40	60	
B3	Lmin	all standard threads	52	72	82	52	72	The active length La of the stem has to immerse completely into the medium, to grant a measuring result, which corresponds to the accuracy class.
B4.1	Lmin	all standard threads	60	80	90	60	80	
B5	Lmin	all standard threads	95	115	125	95	115	
B6	L1min	all standard threads	60	80	90	60	80	
others			upon request			upon request		

¹⁾ The temperature difference ΔT = 60 K corresponds to the e.g. the temperature range 0/60 °C, but also -20/40 °C, see table on page 4

Basic Model: Bimetal thermometers with adjustable angle		TBiGelChg
Case filling:	according to version glycerine or silicone oil	G
Nominal case size:	case-Ø 63, 80, 100, 125, 160 (mm) (2½", 3", 4", 5", 6")	63, 80, 100, 125, 160
Stem position / case configuration:	centre back position, adjustable angle	without code letters
Temperature ranges:	ΔT (K):	
	0 — 60 °C 60	
	0 — 80 °C 80	
	0 — 100 °C 100	e. g. 0-100 °C
	0 — 120 °C 120	
	0 — 160 °C 160	
	0 — 200 °C 200	
	0 — 250 °C 250	
	0 — 300 °C 300	
	0 — 400 °C 400	
	0 — 500 °C 500	
	0 — 600 °C 600	
	-50 / + 50 °C 100	
	-40 / + 40 °C 80	
	-40 / + 60 °C 100	
	-30 / + 50 °C 80	e. g. -30/+50 °C
	-30 / + 70 °C 100	
	-20 / + 40 °C 60	
	-20 / + 60 °C 80	
	-20 / + 80 °C 100	
	+50 / +300 °C 250	
Stem:	without screw fitting, plain stem	B1
	union nut	B3
	male thread, turnable	B4
	male thread, rigid	B4.1
	male thread, compression fitting	B5
	male thread, turnable / double male adapter	B6
Stem-Ø dF:	6 or 8 mm	dF 6, 8
Stem length:	L resp. L1 in mm	e. g. L = 100 mm
Process connection:	see page 3	e. g. G ½ B
Options:	red mark on the dial plastic clip red or green external at crimped-on ring NCS 80, 100,125 and 160 window tempered safety glass for NCS 80, 100, 125 and 160 acrylic glass (PMMA) for NCS 80 and 100 polycarbonate (PC) NCS 63, 80 and 100 case polished stem- Ø dF 10 mm case filling indication ranges from - 20 °C up to +100 °C: silicone oil stem length > 400 mm, max. 800 mm measuring point stainless steel-plate 12 mm x 55 mm (0.47" x 2.17"), wire mounting or marking sticker on case coverage	<i>(Order at the moment still as cleartext)</i>

Example: TBiGelChg 80, 0-100 °C, B3, dF 8, L = 100 mm, G ½

Special Versions: Please describe your requirements clearly

© 2013 ARMATURENBAU GmbH and MANOTHERM Beierfeld GmbH · Changes, replacement of materials and printing errors excepted