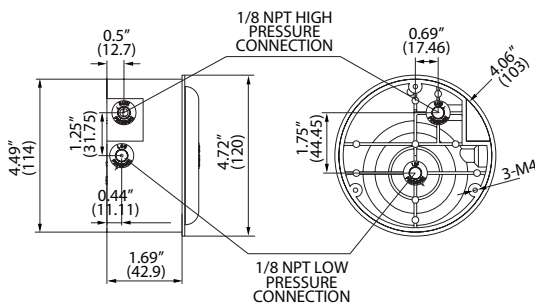


# Series S2000 / P2000

## Low-Cost Differential Pressure Gauge



### DIMENSIONS



### SPECIFICATIONS

**Pressure Limits:** -20" Hg to 15 PSI (-0.677 bar to 1.034 bar)

**Media Compatibility:** Air and compatible gasses

**Accuracy:** +/- 2% full scale (+/- 3% on -0 and +/- 4% on -00) throughout range at 70°F (21°C)

**Temperature Ranges:** 20° to 140°F (-7° to 60°C)

**Housing Material:** Die cast aluminum case and bezel (ABS for P2000), with acrylic cover

**Process Connection:** 1/8" female NPT duplicate high and low pressure taps - one pair side and one pair back.

**Weight:** 1 lb 2 oz (510 g)

**Accessories:** Two 1/8" NPT barbed fittings, two 1/8" NPT plugs, and three mounting tabs and screws

**Warranty:** 2 years

**Approvals:** RoHS, CE



- Mounts in Industry Standard Holes
- Accuracy 2%
- Die Cast Aluminum Housing (S2000)
- ABS Housing (P2000)

The Series S2000 and P2000 differential pressure gauges are low-cost, diaphragm operated, mechanical pressure gauges. The S2000 and P2000 gage can be used in applications for measuring positive, negative, or differential pressure with an accuracy of 2%. Standard applications include monitoring filter status, duct static pressure, room pressure, fan or blower pressure, paint booths, dust collectors, and cabinet purging along with many others.

### MODEL NUMBERS

Model Number	Pressure Range	Model Number	Pressure Range	Model Number	Pressure Range
Inches w.c.		Zero Center Inches w.c.		mm w.c.	
S2000-00	0 - 0.25"	S2300-0	0.25 - 0 - 0.25"	S2000-6MM	0 - 6
S2000-0	0 - 0.5"	S2301	0.5 - 0 - 0.5"	S2000-10MM	0 - 10
S2001	0 - 1"	S2302	1 - 0 - 1"	S2000-25MM	0 - 25
S2002	0 - 2"	S2304	2 - 0 - 2"	S2000-50MM	0 - 50
S2003	0 - 3"	S2310	5 - 0 - 5"	S2000-100MM	0 - 100
S2004	0 - 4"	S2320	10 - 0 - 10"	S2000-250MM	0 - 250
S2005	0 - 5"	Pa / kPa		Zero Center mm w.c.	
S2006	0 - 6"	S2000-60PA	0 - 60	S2300-12MM	6 - 0 - 6
S2008	0 - 8"	S2000-125PA	0 - 125	S2300-20MM	10 - 0 - 10
S2010	0 - 10"	S2000-250PA	0 - 250	S2300-50MM	25 - 0 - 25
S2015	0 - 15"	S2000-500PA	0 - 500	Dual Scale Inches w.c. and Pa or kPa	
S2020	0 - 20"	S2000-750PA	0 - 750	S2000-00D	0-0.25" / 0 - 60
S2025	0 - 25"	S2000-1KPA	0 - 1	S2000-0D	0-0.5" / 0 - 125
S2030	0 - 30"	S2000-1.5KPA	0 - 1.5	S2001D	0 - 1" / 0 - 250
S2050	0 - 50"	S2000-2KPA	0 - 2	S2002D	0 - 2" / 0 - 500
S2100	0 - 100"	Zero Center Pa		S2003D	0 - 3" / 0 - 750
<b>Options:</b> - ASF Adjustable Signal Flag - CH Chrome Bezel - LT Low Temperature to -20° F (-29° C)		S2300-60PA	30 - 0 - 30	S2004D	0-4" / 0 - 1000
		S2300-120PA	60 - 0 - 60	S2006D	0 - 6" / 0 - 1.5
		S2300-250PA	125 - 0 - 125	S2008D	0 - 8" / 0 - 2.0
		For other pressure ranges or custom scales, contact factory		S2010D	0 - 10" / 0 - 2.5
				S2020D	0 - 20" / 0 - 5.0

For P2000 Replace "S" with "P" - Minimum order quantity for P2000 is 25

### ACCESSORIES

- A-131 Static Pressure Tip with barbed connection
- A-105 Air Filter Kit
- A-103 Surface Mounting Bracket
- A-102 Hanging Bracket / Stand
- A-202 Short Shut Off Valve
- A-203 Long Shut Off Valve
- A-024 Vinyl Tubing 5 feet

